

Portable control station T-IDV

IP 65

Robust with many installation options.

Picture	Description										
	<p>Enclosure rectangular, plastic with:</p> <ul style="list-style-type: none"> - External dimensions 337 x 195 x 90 (WxDxH) - Seal between upper and lower part - Screw plugs - Hinges on the back - Without bores/cut-outs - Without inserts/attachments/cable gland 										
<p>Versions with:</p>	<table border="1"> <thead> <tr> <th>Colour enclosure</th> <th>Type</th> </tr> </thead> <tbody> <tr> <td>yellow</td> <td>T-IDV</td> </tr> <tr> <td>black *)</td> <td>TS-IDV</td> </tr> <tr> <td>yellow</td> <td>T-IDV-F</td> </tr> <tr> <td>black *)</td> <td>TS-IDV-F</td> </tr> </tbody> </table>	Colour enclosure	Type	yellow	T-IDV	black *)	TS-IDV	yellow	T-IDV-F	black *)	TS-IDV-F
Colour enclosure	Type										
yellow	T-IDV										
black *)	TS-IDV										
yellow	T-IDV-F										
black *)	TS-IDV-F										
<p>Installation positions:</p> 	<p>Project planning notes:</p> <p>For dimensions, see technical information TI-T-IDV. The attachment plate for controllers are already integrated within upper part. If you need a whole plane surface on top you have to erase prepared attachment plate e.g. by milling. Please note the installation dimensions of the inserts.</p>										
<p>Options:</p>	<p>Standard layout with bores: Pos. 1...4 and Pos. 5-8 for joysticks Pos. 11...17 holes \varnothing 22.5 mm</p> <p>Customised layout with bores/ cut-outs</p> <p>Joysticks CS1, VCS0, VNS0, NNS0</p> <p>Control devices 22,5 mm</p> <p>Wiring on connection cable with plug</p> <p>Customised cable gland</p>										

*) antistatic version for max. 24V operating voltage

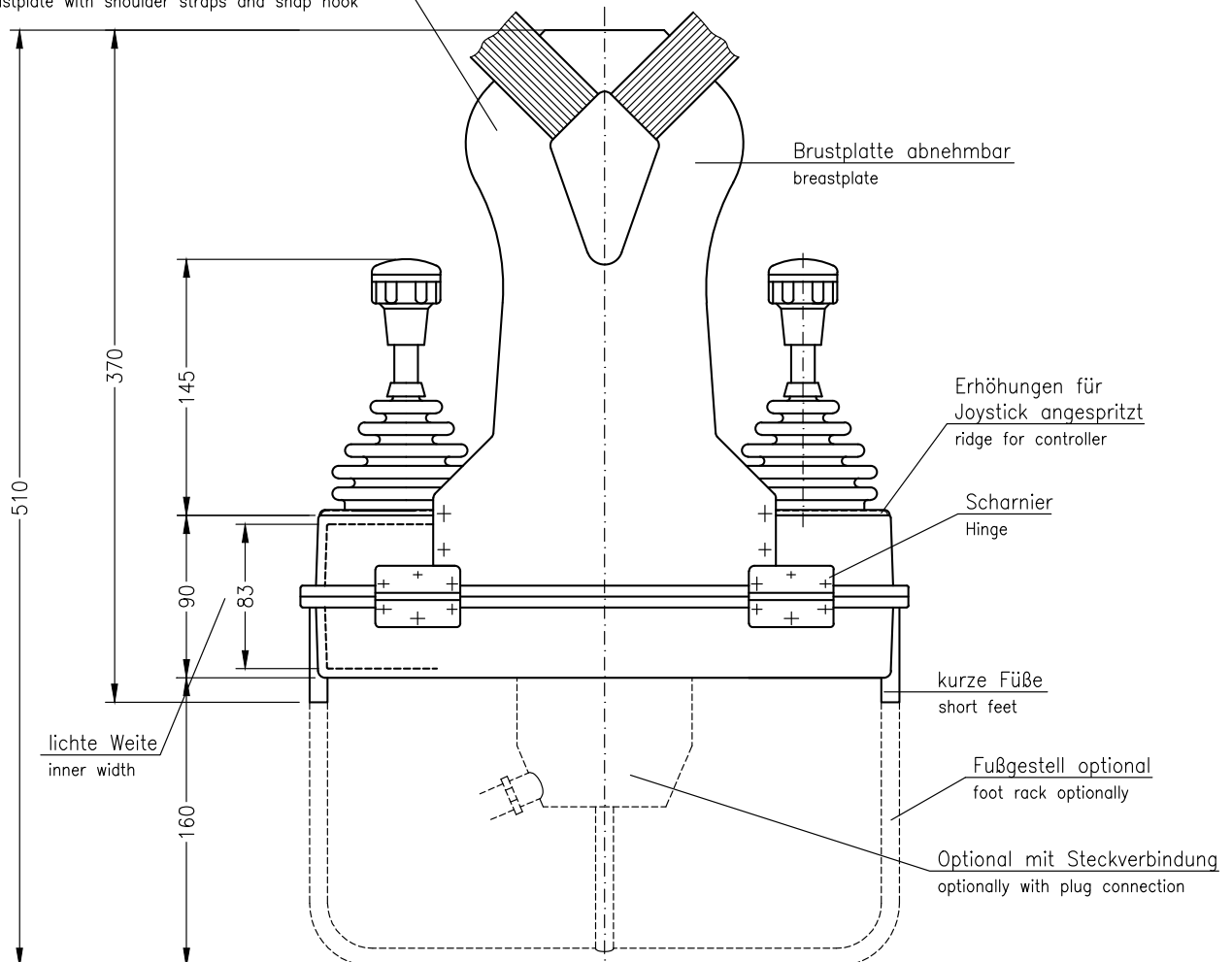
Technische Informationen:

Material: GFK gelb
 material: GFK yellow
 Schutzart / Degree of protection max IP65*
 *Abhängig von Einbauten / Dependent on inserts

Einbaumöglichkeiten:

Joysticks
 Befehlsgeräte
Installations
 joysticks
 control devices

Brustplatte mit Tragegurt und Karabinerhaken
 breastplate with shoulder straps and snap hook



Typenschlüssel siehe TP-T-IDV
 Typecode see TP-T-IDV